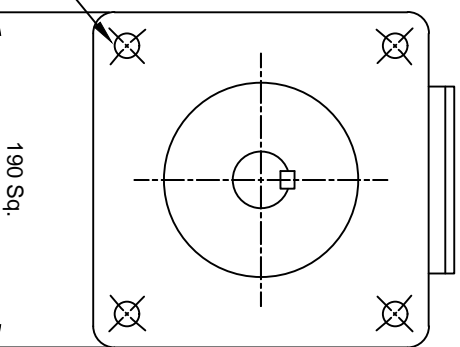
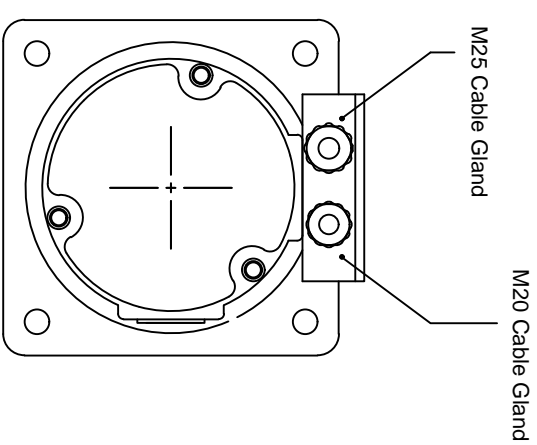
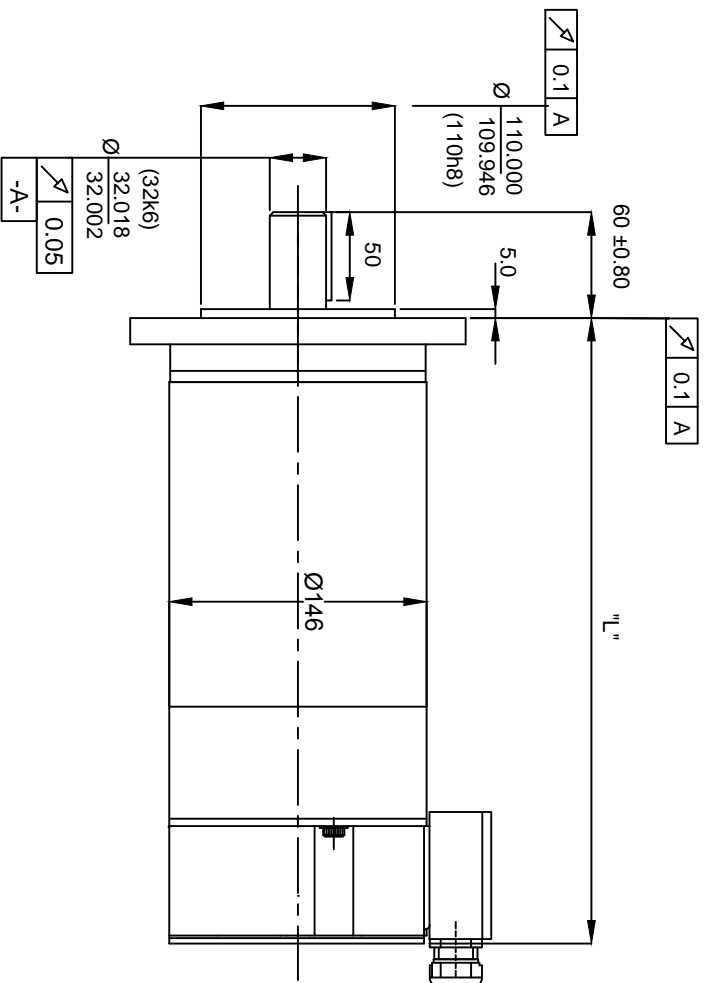
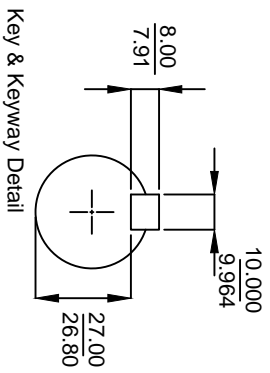




**Callan Technology replacements  
for SEM MT52 servomotors**

| <b>SEM</b>   | <b>Callan Technology</b>  |
|--------------|---------------------------|
| MT52K8-87    | M4-4203 F                 |
| MT52K8-62    | M4-4203 E                 |
| MT52K8-50    | M4-4203 K                 |
| MT52K8-37    | M4-4203 J                 |
| MT52V8-87    | M4-4205 A                 |
| MT52V8-69    | M4-4205 B                 |
| MT52V8-50    | M4-4205 M                 |
| MT52V8-37    | M4-4205 D                 |
| MT52ZF8-86   | Contact Callan Technology |
|              |                           |
|              |                           |
| MT52ZR8-92   | Contact Callan Technology |
|              |                           |
|              |                           |
| DBMT52ZF8-86 | Contact Callan Technology |
|              |                           |
|              |                           |
| DBMT52ZR8-92 | Contact Callan Technology |
|              |                           |
|              |                           |



(4) Holes, Ø 14 thru' equispaced as shown on Ø 215 PCD

| Motor Type | Length "L" |
|------------|------------|
| M4-4204    | 322        |
| M4-4205    | 347        |

Notes:-

1. With a positive current applied to positive motor terminal A1 respect to terminal A2, rotation shall be clockwise facing mounting end of motor.  
With this rotation a positive voltage shall be generated on terminal T1 of tach with respect to terminal T2.  
(Wiring diagram inside Terminal Box)
2. Motor can be mounted in any position
3. Thermostat set to open at 90°C ± 6°C & close at 70° ± 6°C falling. N.C. contacts rated to 3.0 Amps, 250V. AC., (2) Yellow leads
4. All dimensions in mm.

Tolerances:

X.X = ± 0.3  
X.XX = ± 0.1  
Ang. Dim. = ± 1°

|                                 |          |                                    |       |
|---------------------------------|----------|------------------------------------|-------|
| Scale : NTS                     |          | Weight :                           |       |
| Material : SEE NOTES            |          | Remove all burrs and sharp corners |       |
| Rare Earth Servomotor with Tach |          | M4-420X-32039-000                  |       |
| M4-420X-32039-000               |          | M4-420X-32039-000                  |       |
| Issue                           | ECO. No. | Date                               | Name  |
| 1                               |          | 13/3/13                            | POB   |
|                                 |          | App'd                              | App'd |
|                                 |          | Norm                               |       |

Callan Technology

M4-420X-32039-000

Sheet  
1  
of 1